

BARRIERSafe Check Sheet

DIMENSIONS:	VALUE:	DESCRIPTION:
H		Handrail Vertical Height
S		Stanchion Diameter, or unique profile dimensions
K		Mid rail Diameter, or unique profile dimensions
I		Stair Handrail Height, right angle to stringer

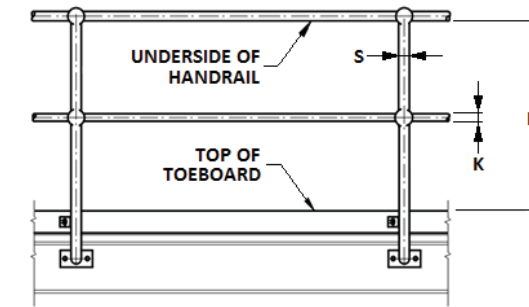
COMPONENT:	QUANTITY:	DESCRIPTION:
RGI-720		Internal Corner 720 Angle, note 6
C755-90		External Corner 755 high 90deg, note 5
U-SET 50x6.35x710		number of stair runs to be covered
Platform Guarding		Handrail count - stair to platform transition points meters (Platform Handrail Length)
Stair Guarding		meters (Stair Handrail Length)

COMMENTS:

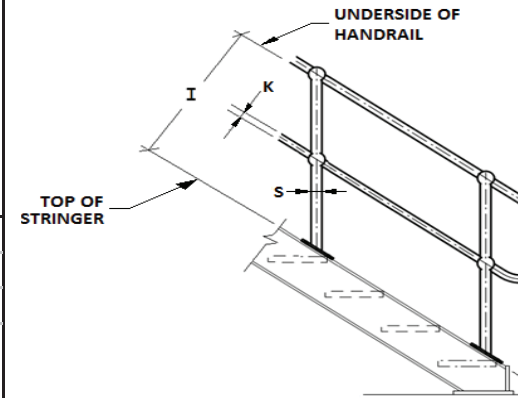
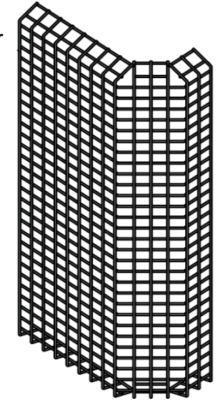
Client Information:

Name	Company	Email	Phone
<input type="text"/>	<input type="text"/>	<input type="text"/>	<input type="text"/>

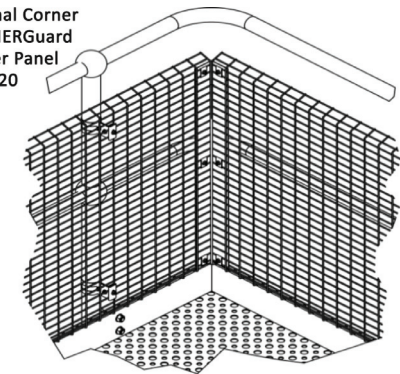
Return to quote@accumax.com.au for your quick quote



External Corner
BARRIERGuard
Corner Panel
C755-90



Internal Corner
BARRIERGuard
Corner Panel
RGI-720



Notes:

1. All dimensions in mm unless noted otherwise.
2. Make multiple measurements, then determine average dimensions above.
3. Dimensions S & K average to 0.5mm.
4. Required total lengths for Platform and Stair Handrailing to be shown separately.
5. C755-90 is for external corners of 90 degree or combine for 180 degree returns
6. RGI-720 is for internal corners only

BARRIERSafe System has been designed to suit all varying stanchion design and profiles



ACCUMAX
GLOBAL