

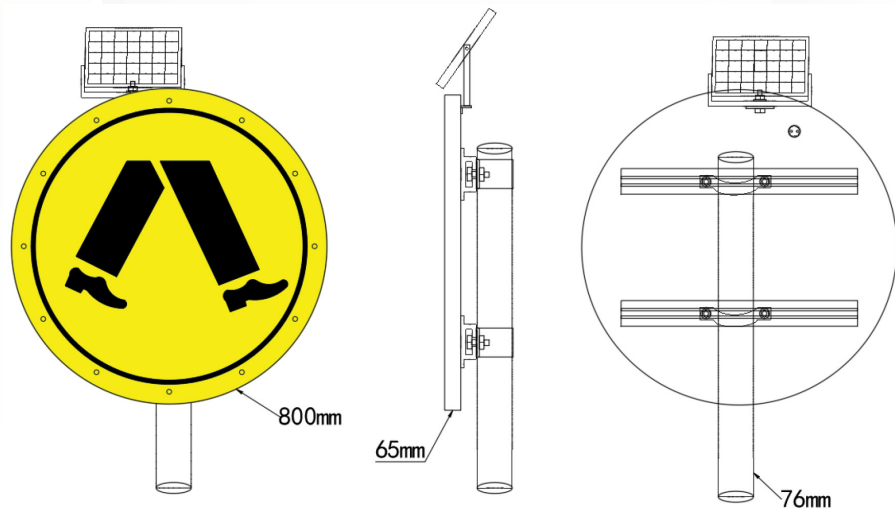
Pedestrian Solar Traffic Sign

SKU: MAX-ST501



FEATURES

- Solar charging (8 hours) or can be manually charged
- Will run for 7 days once fully charged
- Includes a day/night override switch



Specifications

Size	800x800x65mm	LED Color	Yellow or customer requested
Solar Panel	External 12V/6W imported monocrystalline silicon solar glass laminate	Battery	Lithium 5AH 1pc 7.4V
Material	1.5mm thick aluminium plate and circular dedicated aluminium frame	LED service life	≥ 100000 hours
Half value angle	> 30°	Working temperature	-25°C ~ 65°C
Protection level	≥ IP54	LED Quantity	12pcs
LED brightness	20000-22000MCD	Visual Distance	>1200m at nighttime
Visual distance	> 200m in daytime	Reflective film	3M ultra strong reflective film, yellow bottom film, black pattern
Auto-light control	Only work at night	Working Mode	Flashing
Installation method	Equipped with 2 sets of clamp screws in the back slot	Warranty	1 year
Packing detail	2pcs/ctn; Net Weight: 15Kg; Gross Weight: 16Kg; Carton: 88x88x23cm		